



Scan for full manual

VS-42H2 Quick Start Guide

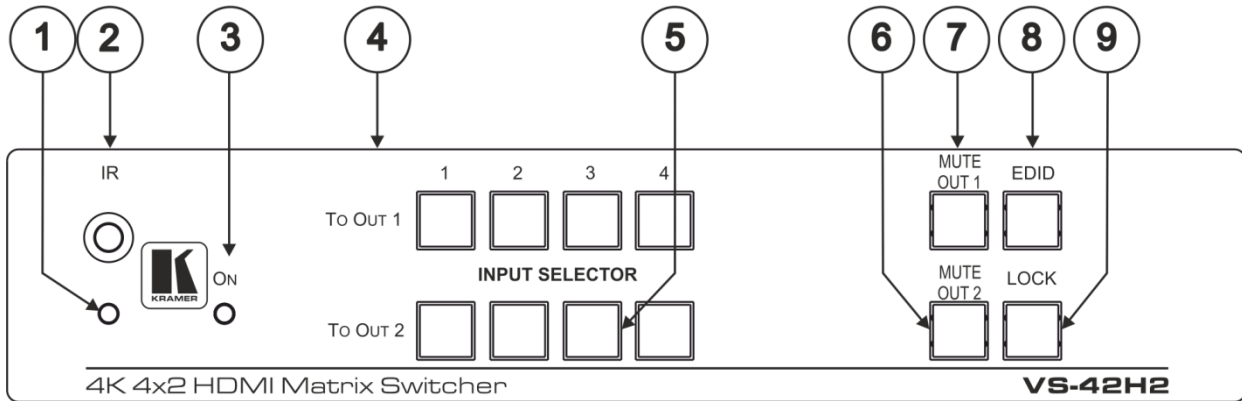
This guide helps you install and use your VS-42H2.

Go to www.kramerav.com/manual/VS-42H2 to download the latest user manual and check if firmware upgrades are available.

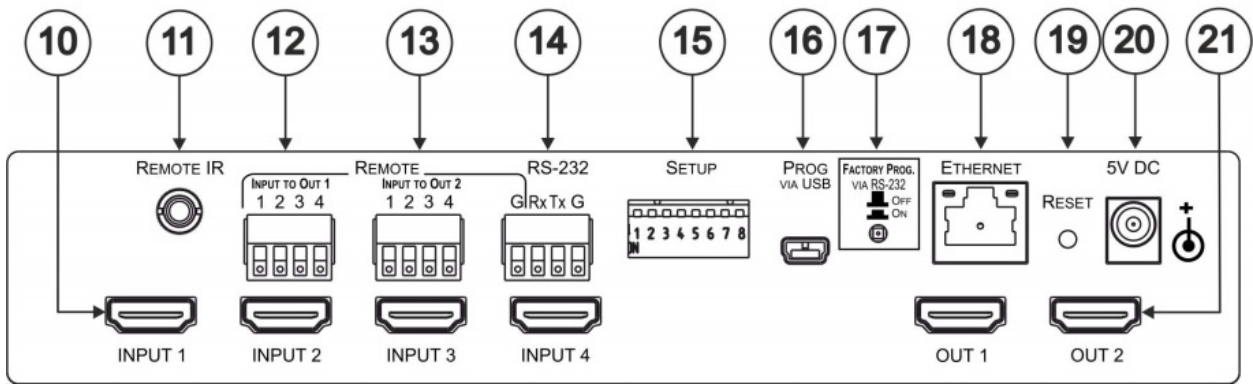
Step 1: Check What's in the Box

- ✓ VS-42H2 4x2 HDMI Matrix Switcher
- ✓ 4 Rubber feet
- ✓ Infrared remote control transmitter
- ✓ 1 Power supply (5V DC)
- ✓ 1 Quick start guide

Step 2: Get to know your VS-42H2



#	Feature	Function
1	IR LED	Lights yellow when receiving an IR signal.
2	IR Sensor	Receives signals from the infrared remote control transmitter.
3	ON LED	Lights green when the device is powered on.
4	INPUT SELECTOR TO OUT 1, 1-4	Press one of the four inputs to switch it to OUT 1.
5	INPUT SELECTOR TO OUT 2, 1-4	Press one of the four inputs to switch it to OUT 2.
6	MUTE OUT 2 Button	Press to toggle mute of the OUT 2 signal.
7	MUTE OUT 1 Button	Press to toggle mute of the OUT 1 signal.
8	EDID Button	Press to capture the EDID (see Step 6).
9	LOCK Button	Press and hold to lock the front panel buttons. Press and hold again to unlock.



#	Feature	Function
10	INPUT 1–4 HDMI Input Connectors	Connect to up to four HDMI sources.
11	REMOTE IR Opening	Connect to an external IR receiver for controlling the device via an IR remote controller. Covered by a cap. The 3.5mm mini jack at the end of the internal IR connection cable fits into this opening.
12	REMOTE INPUT TO OUT 1 4-pin Terminal Block + Ground	Connect to up to four remote, contact-closure input selection switches for Output 1.
13	REMOTE INPUT TO OUT 2 4-pin Terminal Block + Ground	Connect to up to four remote, contact-closure input selection switches for Output 2.
14	RS-232 3-pin Terminal Block	Connect to a PC/serial controller.
15	SETUP 8-way DIP-Switch	Sets the device configuration.
16	PROG VIA USB Connector	Connect to a PC to upgrade the firmware.
17	FACTORY PROG VIA RS-232 Upgrade Switch	Press to upgrade the firmware via the RS-232 port, release for normal operation.
18	ETHERNET RJ-45 Connector	Connect to a PC via a LAN.
19	RESET Switch	Press while power-cycling the device to reset to factory default parameters.
20	5V DC Connector	Connect to the power adapter, center pin positive.
21	OUT 1 and OUT 2 HDMI Output Connectors	Connect to up to two HDMI acceptors.

Step 3: Install VS-42H2

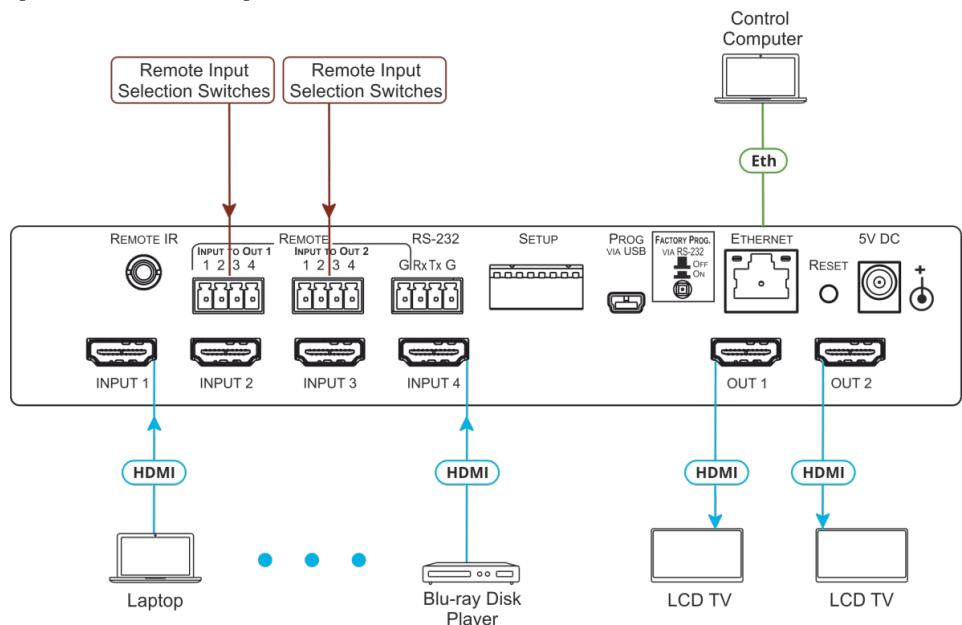
Attach the rubber feet and place on a table or mount **VS-42H2** in a rack using the recommended rack adapter (see www.kramerav.com/product/VS-42H2).



- Ensure that the environment (e.g., maximum ambient temperature & air flow) is compatible for the device.
- Avoid uneven mechanical loading.
- Appropriate consideration of equipment nameplate ratings should be used for avoiding overloading of the circuits.
- Reliable earthing of rack-mounted equipment should be maintained.
- Maximum mounting height for the device is 2 meters.

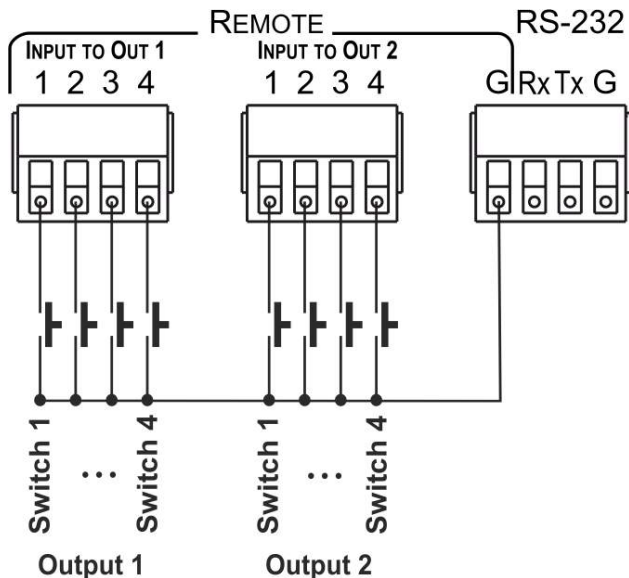
Step 4: Connect the inputs and outputs

Always switch OFF the power on each device before connecting it to your **VS-42H2**. For best results, we recommend that you always use Kramer high-performance cables to connect AV equipment to **VS-42H2**.



Connecting the remote input selection switches:

These remote switches replicate the input selection buttons on the front panel of **VS-42H2**.



Step 5: Connect the power

Connect the 5V DC power adapter to **VS-42H2** and plug it into the mains electricity.

Safety Instructions



- Caution:** There are no operator serviceable parts inside the unit.
- Warning:** Use only the Kramer Electronics power adapter that is provided with the unit.
- Warning:** Disconnect the power and unplug the unit from the wall before installing.
See www.KramerAV.com for updated safety information.

Step 6: Operate VS-42H2

Operate **VS-42H2** via:

- Front panel buttons
- Remotely, via RS-232 serial commands transmitted by a touch screen system, PC, or other serial controller
- Remotely, using an IR remote control transmitter
- Embedded web pages via the Ethernet
- Contact-closure switches

RS-232 / Protocol 3000 Default Parameters	
Baud Rate:	115,200
Data Bits:	8
Stop Bits:	1
Parity:	None
Command Format:	ASCII
TCP/IP Default Parameters	
IP Address:	192.168.1.39
Netmask:	255.255.0.0
Gateway:	0.0.0.0
TCP Port #:	5000
UDP Port #:	50000

Switch an input to an output:

- Press an input button on the top row (To OUT 1) to switch that input to Output 1.
- Press an input button on the bottom row (To OUT 2) to switch that input to Output 2.

Copy the EDID from an Output to one or more Inputs:

1. Press the EDID button to enter the EDID setting mode.
The EDID button lights.

Note: If there is no button activity for 10 seconds, the device automatically exits the EDID setting mode to normal operation, the EDID button no longer lights and any changes made are lost.

2. From the To OUT 1 (top) row, press each of the Inputs to which you want to copy the EDID from Output 1.
Each selected Input LED lights.
3. From the To OUT 2 (bottom) row, press each of the Inputs into which you want to copy the EDID from Output 2.
Each selected Input LED lights.
4. Press the EDID button.
The button no longer lights and the EDID changes are saved.

Copy the default EDID to one or more Inputs:

1. Press the EDID button to enter the EDID setting mode.
The EDID button lights.
2. For each Input to which you want to copy the default EDID, press both the To OUT 1 and To OUT 2 buttons simultaneously.
Both top row and bottom row Input LEDs light.
3. Press the EDID button.
The button no longer lights and the EDID changes are saved.

Set the HDCP status for each input using the DIP-switches:

Note: Push the DIP-switch down for ON and up for OFF.

Switch #	Description
1	OFF – Input 1 does not support HDCP ON – Input 1 is HDCP compliant
2	OFF – Input 2 does not support HDCP ON – Input 2 is HDCP compliant
3	OFF – Input 3 does not support HDCP ON – Input 3 is HDCP compliant
4	OFF – Input 4 does not support HDCP ON – Input 5 is HDCP compliant

Set the automatic switching mode for each output using the DIP-switches:

1. Use DIP-switch 5 (input 1) or 7 (input 2) to select manual or automatic switching for the output.
2. If automatic is selected, use DIP-switch 6 (input 1) or 8 (input 2) to select the automatic switching mode.

Note: Push the DIP-switch up for ON and down for OFF.

Switch #	Description
5	OFF – Output 1: Manual switching ON – Output 1: Automatic switching
6	OFF – Output 1: Last Connected mode ON – Output 1: Priority mode
7	OFF – Output 2: Manual switching ON – Output 2: Automatic switching
8	OFF – Output 2: Last Connected mode ON – Output 2: Priority mode